

DRINKING FOUNTAIN FM-02

Serial Hercules

Maintenance advices

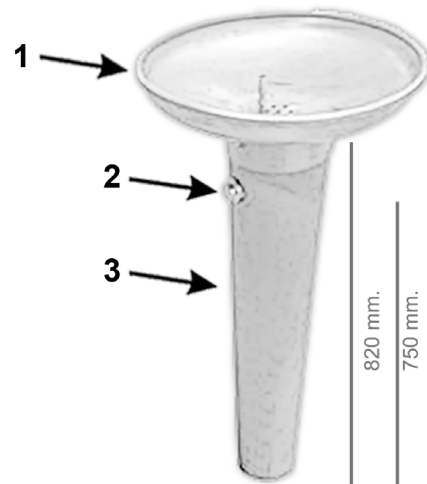
Drinking fountain made 100% from recycled plastic generated from urban waste.

Drinking Fountain FM-02's characteristics:

- Robust and decorative.
- Made of recycled and recyclable materials.
- Recycled plastic requires no maintenance.
- It reduces dumping sites by using recycled plastic.
- It is water resistant, and 100% recyclable.
- In difference with wood or steel, it is resistant to outdoors. It is lighter than concrete and cheaper than stainless steel.
- Body and the strainer made of 100% recycled plastic.
- Anchoring by fixing or a base ready to screw.
- 20 years of guarantee in case of normal application
- Trim of stainless Steel of maximum quality AISI 304 L.
- Adjustable water exit.
- Time-delayed chrome-plated brass tap for greater water-saving, personalized by the manufacturer Europeo Presto.
- Registered design EEC.

Our urban drinking fountains Martín Mena[®] stand out because:

- It lacks sharp edges.
- It is very rare they break down.
- There require no maintenance, except metal members.
- The design of water evacuation allows an appropriate drainage, preventing wastewater.
- Easy and fast installation and building work (5).



Technical characteristics:

1. Trim of stainless Steel of maximum quality AISI 304 L.
2. Time-delayed tap
3. Body

DRINKING FOUNTAIN FM-02

Serial Hercules

Installation:

Installation should be done by a professional to comply with valid regulations.

We suggest:

1. You need a perfectly horizontal surface.
2. It is convenient to make a concrete basement (bild 1), cubic type, of at least 40 cm of site (bild 3) to can screw appropriately the base disc or supporting foot. (bild 2)
3. The fountain has a water inlet `1/2` which should be connected to the matching drinking water supplies and the wastewater drainage.

Rules:

Rule 1

Before putting into service any one of our taps, is indispensable to purge the water pipes.

Rule 2

After putting into service and in case of any anomaly, the mechanism should be extracted and cleared under running water. Don't use objects that might damage the parts of the fountain.

Rule 3

In case of fountains installed in places with low temperatures and not used during winter period, it is advisable to clear water pipes, dismantle the mechanism and keep it in a place with no light and with an ambient temperature of 12 degrees.

Rule 4

The chrome-plated back of our fountains should be cleared exclusively in soapy water. Care products with abrasives, acids, basics, ammonia are extremely harmful. In case of calcareous deposits, it is advisable to use scale-dissolving products.

Rule 5:

Never grease the internal mechanism, especially the junctions and the cylinder.

Problem: if you realize during the installation of the fountain that the bubbler is losing water.

Solution: tighten the tap strongly with an appropriate wrench, trying not to damage the chromium plating. You will see that water loss get smaller immediately till it stops completely.

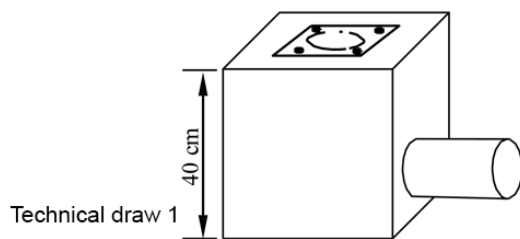
DRINKING FOUNTAIN FM-02

Serial Hercules

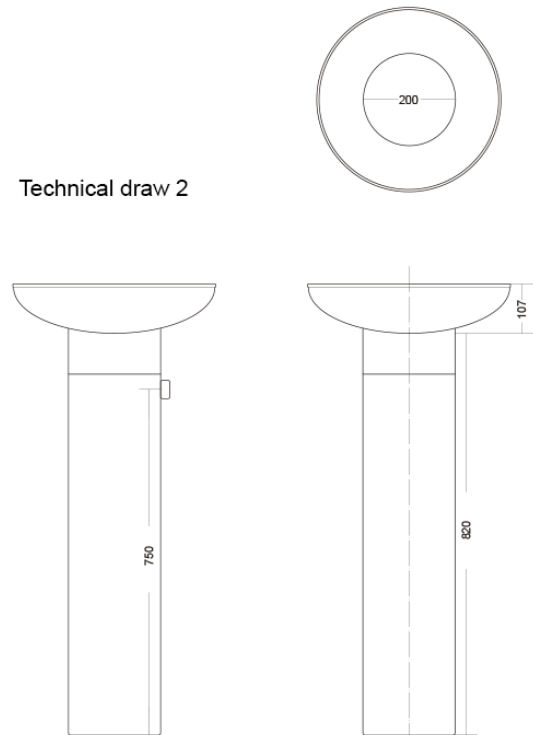
Taps treatment:

Martin Mena's fountain's taps are time-delayed, ecologic, with a chrome-plated brass body with an approximated consume of 0,4 l. per each use, producing a saving of even 76%.

Technical draw of FM 02



Technical draw 2



Technical draw 3

