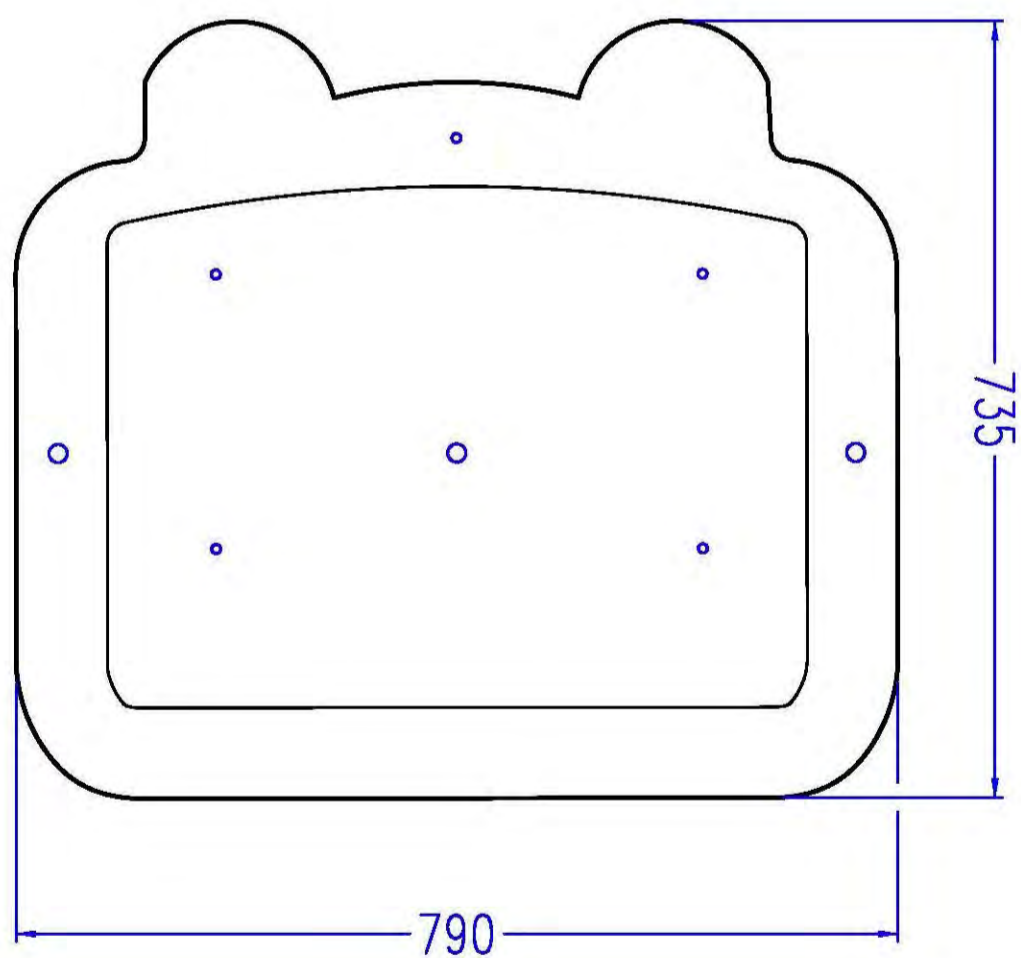
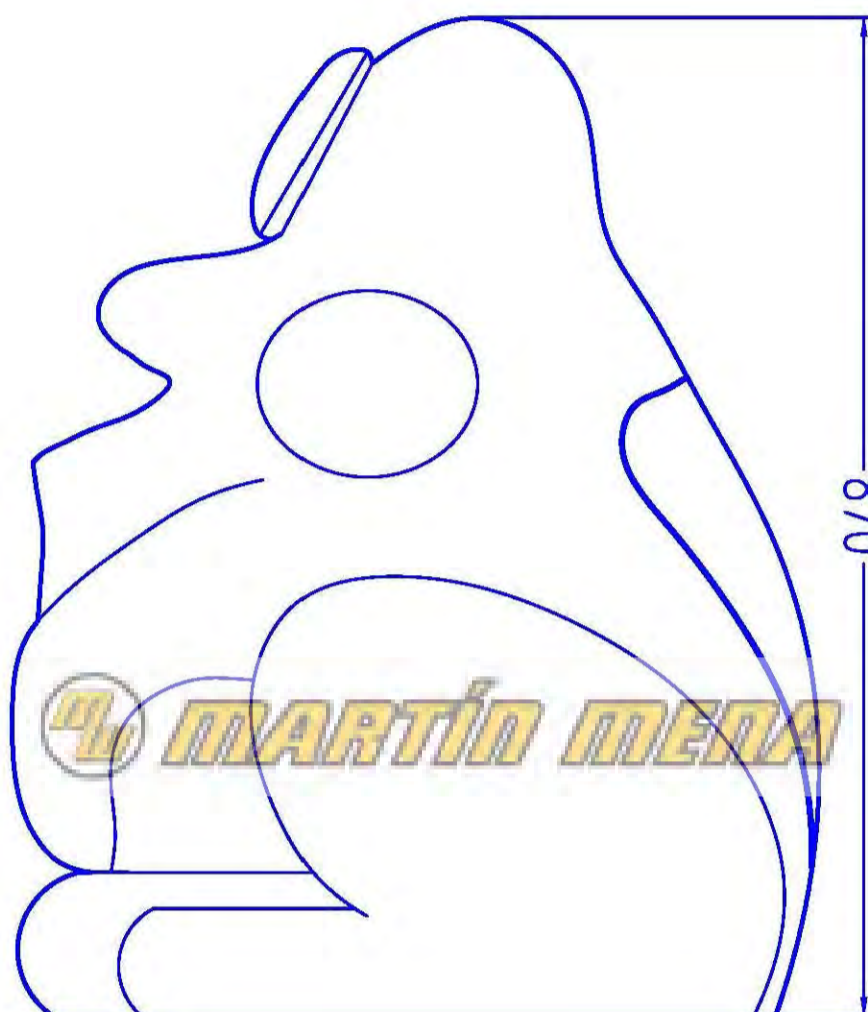
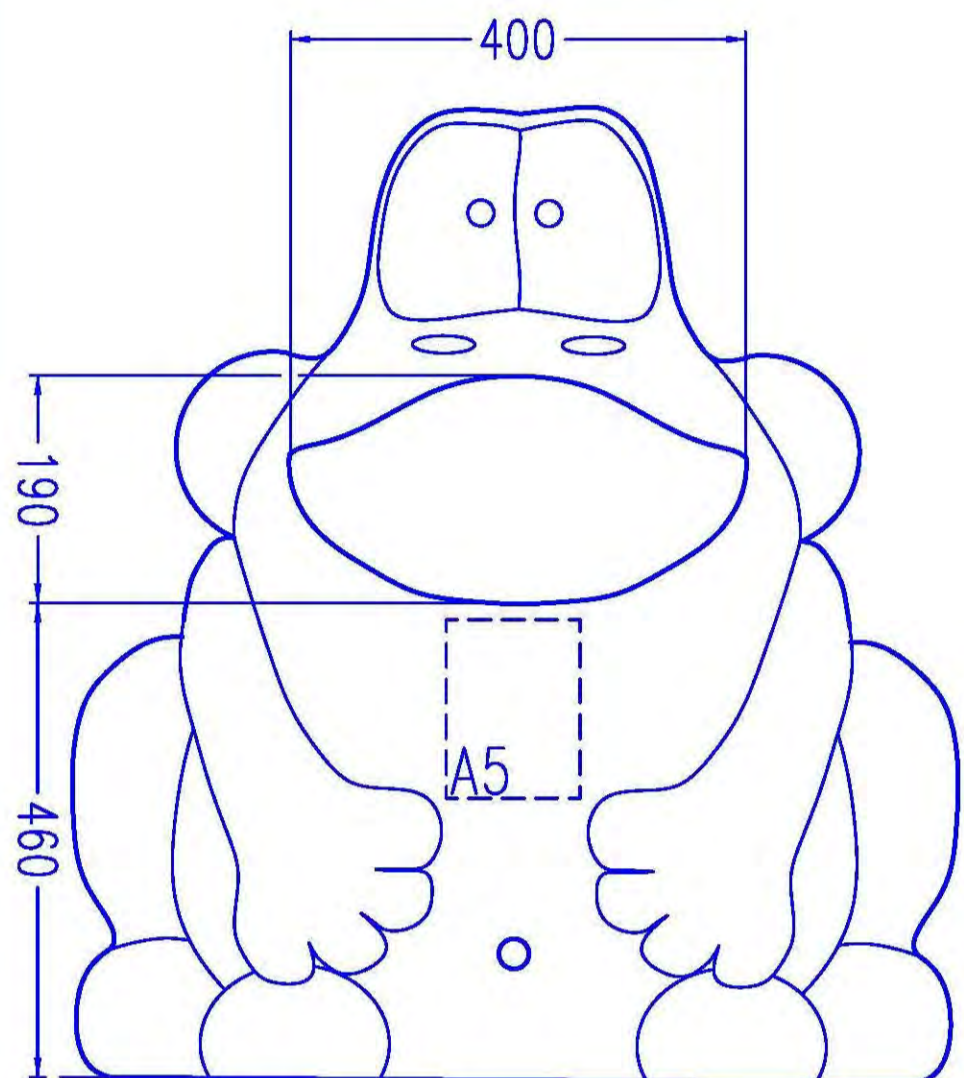
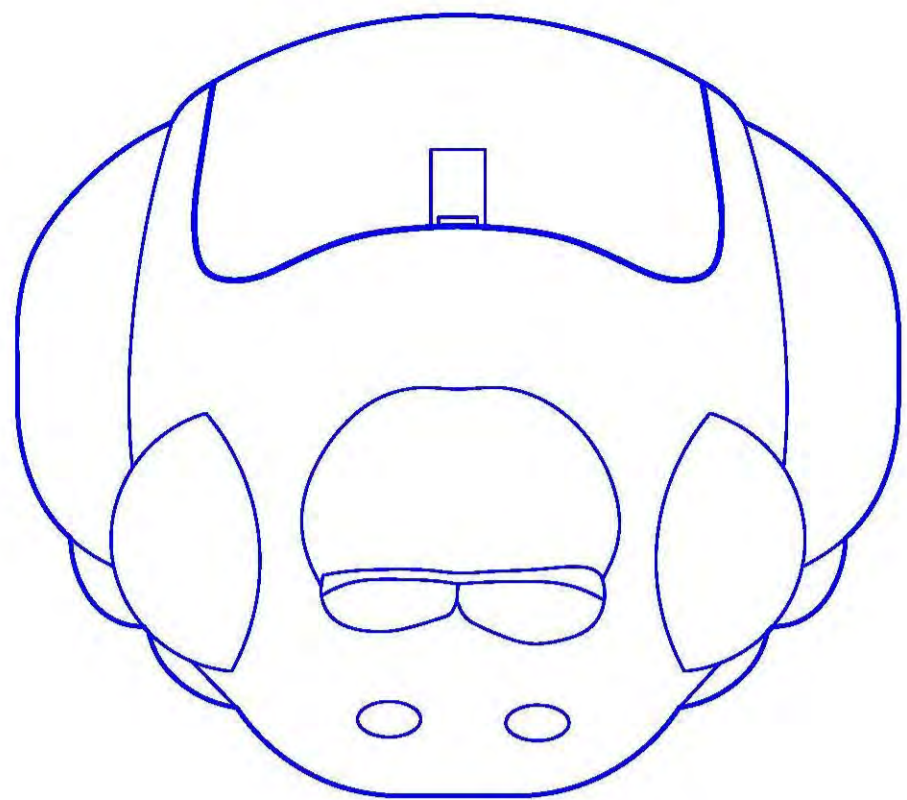


MODEL SPECIFICATION

FROGGO™

La papelera RANA



PRODUCT INFORMATION:

- DESCRIPTION - FIXED OR FREESTANDING DOOR OPENING NOVELTY LITTER CONTAINER FOR EXTERNAL OR INTERNAL USE
- LINER OPTIONS - BIN C/W STEEL LINER - 15Kg
- BIN ONLY - 11Kg
- CAPACITY

	MAXIMUM CAPACITY	LINER/SACK CAPACITY
- C/W STEEL LINER	70Ltr	52Ltr
- MATERIAL - BIN - DURAPOL®
LINER - ZINC COATED STEEL
- RECYCLING INFORMATION - BLACK DURAPOL IS 100% RECYCLED AND RECYCLABLE IF MISTAKENLY PLACED INTO LANDFILL THE PARTS ARE INERT AND WITH NO TOXIC CONTENT. STEEL PARTS HAVE A SIGNIFICANTLY RECYCLED CONTENT AND ARE EASILY RECYCLED.
- COLOURS - BRIGHT GREEN
- DIMENSIONS - ALL DIMENSIONS IN MM UNLESS OTHERWISE STATED.
- KEY - 8mm TRIANGULAR - DIN KEY (C101/0012)

OPTIONAL EXTRAS:

- VINYL GRAPHIC SIZE - Up to A5 (105M X 140MM)
- GROUND FIXINGS - SEE INSTALLATION OPTIONS

INSTALLATION OPTIONS:

WE RECOMMEND PERMANENT GROUND FIXING BY THE FOLLOWING:

- A SOUND CONCRETE FOUNDATION IS THE PREFERRED METHOD.
 - a) GROUND FIXING BOLTS (IN EXISTING OR NEW CONCRETE FOUNDATIONS)

ALLOW TIME FOR NEW CONCRETE FOUNDATIONS TO CURE. 3 HOLES TO BE DRILLED FOR GROUND FIXING BOLTS 10mm x 130mm(MINIMUM DEPTH) ENSURE HOLES ARE LOCATED AT LEAST 100mm FROM ANY EDGE OF THE CONCRETE FOUNDATION.

IF USING YOUR OWN FIXINGS ENSURE ϕ 50mm WASHERS ARE USED.
 - b) ADJUSTABLE DEPTH CONCRETE-IN ANCHORS (IN NEW CONCRETE)

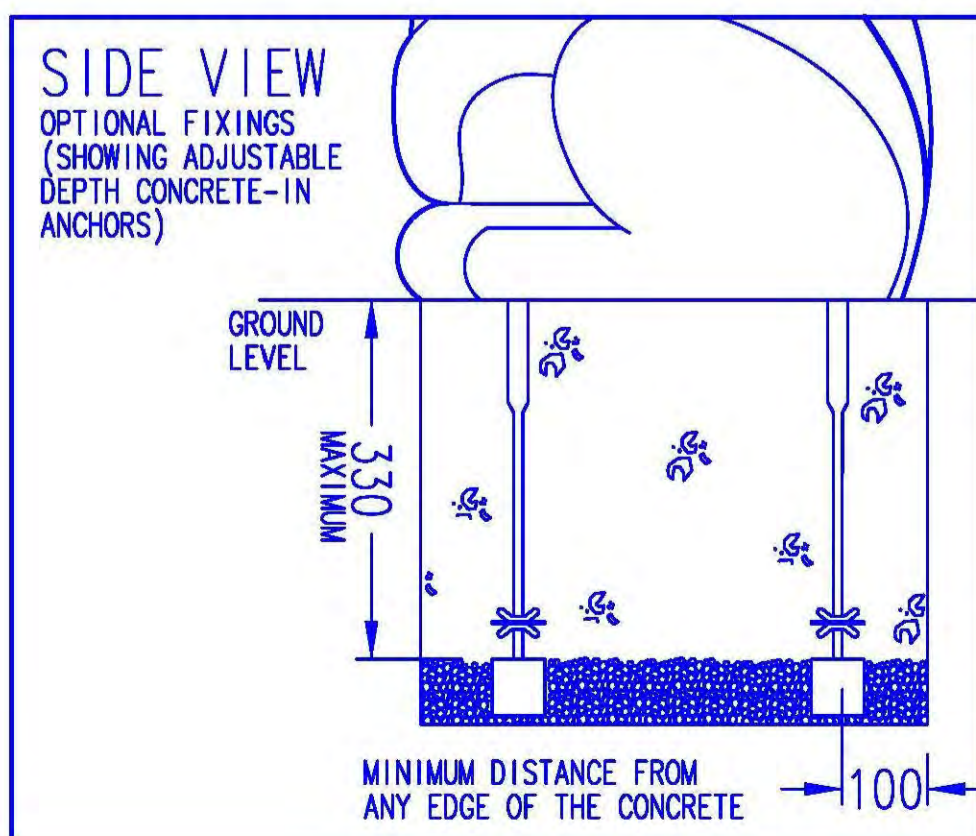
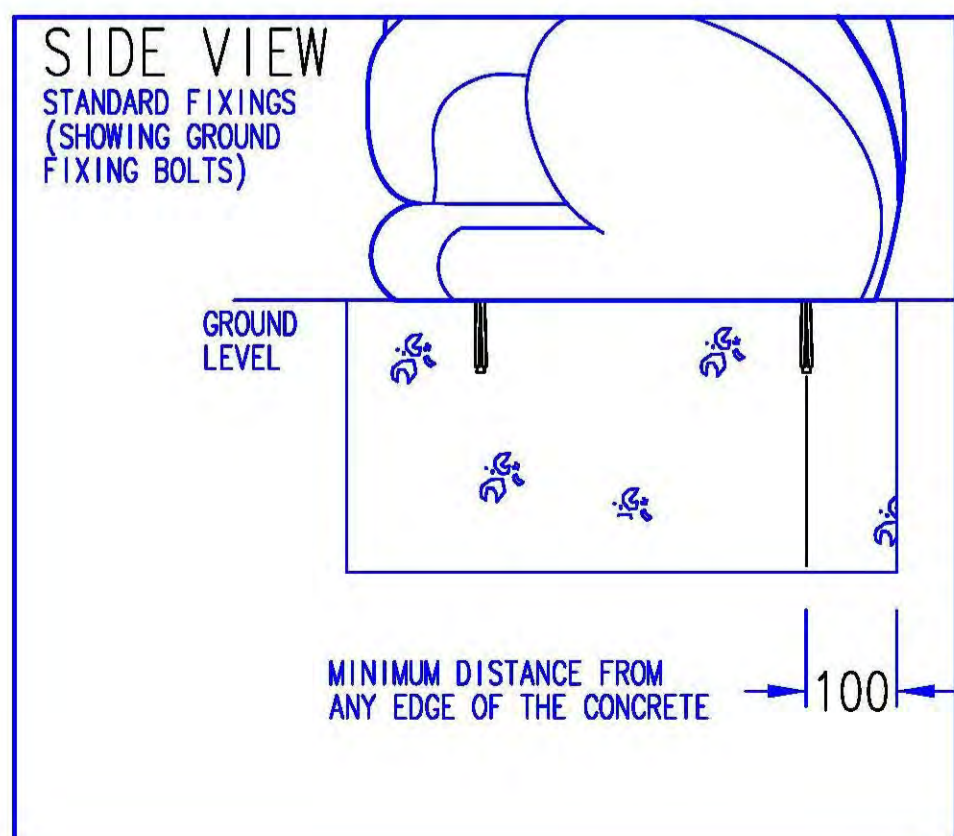
WHEN CREATING A NEW CONCRETE FOUNDATION, THESE FIXING KITS PROVIDE FASTER/EASIER INSTALLATION (WITHOUT DRILLING) WHILST ALLOWING THE UNIT TO BE FASTENED DOWN AND REMOVED IF REQUIRED, LEAVING NO TRIP HAZARD. ENSURE HOLES ARE LOCATED AT LEAST 100mm FROM ANY EDGE OF THE CONCRETE FOUNDATION.
- SOFT EARTH

ALTERNATIVELY ON SOFT EARTH USE THE GROUND-LOCK™ SYSTEM.
- TARMAC AND BLOCK PAVING

WHEN INSTALLING ON TARMAC OR BLOCK PAVING, A CONCRETE BASE IS STRONGLY RECOMMENDED TO PROVIDE ADEQUATE SECURITY AND IMPROVED OPERATION.
- FLAGSTONES (USING GROUND FIXING BOLTS)

WHEN INSTALLING ON FLAGSTONE OF A MINIMUM 50mm (2") THICK. ENSURE HOLES ARE LOCATED AT LEAST 110mm FROM ANY EDGE OF THE FLAGSTONE.

FOR INCREASED SECURITY, USE A DOUBLE LAYER OF FLAGSTONES BOLTED TOGETHER.



Papelera rana FROGGO

Ficha técnica